

Technical specification

180 Series

Printing Technology

Print Head	Drop On Demand Piezoelectric Head
No. of print head	2~4 heads for Ricoh GEN5

Productivity

Production	33 sqm/h
Quality	25 sqm/h
Fine Art	18 sqm/h

Resolution & Software

Resolutions	2880dpi Max.
Software	Standard (SAI photoprint); Neostampa Onyx, Caldera, Wassatch as optional

Media

Media Width	Maximum 1820mm
Roll & Rigid Specs	Roll: Max. dimension 210mm, 40KG; Rigid: up to 35Kg/sqm; Glass 10 Kg max
Print Width	1800mm ;
Feeding&Taking-up System	Auto-Feeding&taking-up system; Front and Back Extension Table

Inks

Type	UV Curable
Ink Supply System	1.5L Large Bulk System with automatic supply system
Colors	Standard CMYK; Lc Lm/white ink optional
Ink curing system	Dual LED UV Curing System; Extend infrared heating and cooling system for Eco-Solvent Printing

Dimensions & Weight

Machine(L*W*H)	3160x1130x1330mm
Package(L*W*H)	Main Body: 3330x950x1600mm; 1000Kg;

Operation Requirements

Connectivity	Hi-Speed USB 3.0
Power	Single Phase, 220VAC±10%, 50/60Hz; 5500W(Machine)
Environment	Temp. 15~32°C; RH 40~65%;

Warranty

Warranty	1 Year Warranty Standard, More information please consult local dealer
----------	--

※ Specifications are subject to change without notice. No responsibility for errors and typos in this sheet.

FOR MORE INFORMATION, PLEASE CONTACT US:
 Web: www.xenons.info Tel: +420 605 449 156
 Web: www.xenons.cn Email: sales@xenons.info

XENONS® Group

Total Digital Inkjet Printing Solutions

XENONS®

Hybrid 180 UV Series

X180 UV

For rigid board and flex rolls with white ink

Flexible and affordable all in one printer!

Key Features

- ▶ Very smart space with roll and rigid media printing size at 1.8m
- ▶ White ink enlarge the artwork value
- ▶ VSDT patent award, 5pl to 40pl multi drop size for photographic image quality
- ▶ Integrated Auto-Print head Maintenance System for ease operation
- ▶ Customized Print head Configuration up to CMYKLcLm/WW for higher quality and more functions
- ▶ Automatic media height setting
- ▶ 2400dpi max. Resolution
- ▶ Continuous sheet and roll printing
- ▶ Auto media correction and flatten system

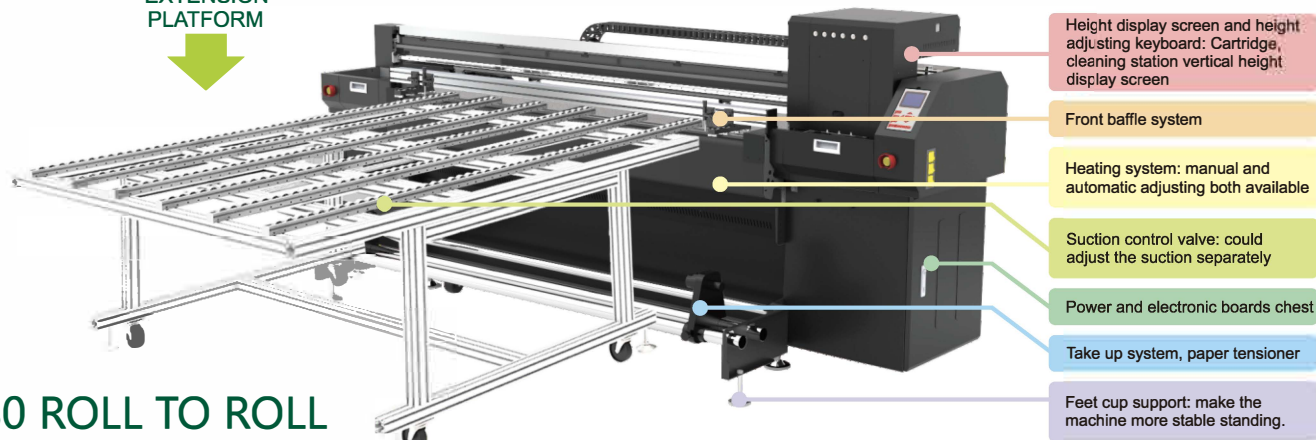


180 Series

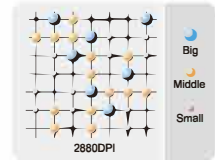


MEDIA

EXTENSION PLATFORM



180 ROLL TO ROLL & FLATBED PRINTER



1. Photographic Image output

YILIJET's patent VSDT technology delivers a ultra high quality prints with multi drop dots from 5pl to 40pl



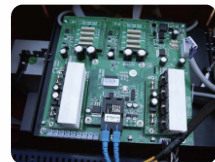
2. Preview of your printing job

With this GUI, you can check the printing situation to better arrangement, as well you can get the whole printing history of your printer



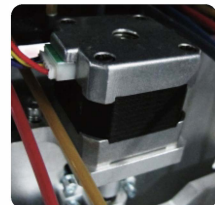
3. Optional White ink

White ink printing create more value on your print work, also extend the substrates limit



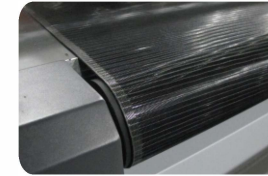
4. Fiber optic transition system

A 1.25G/s data processing capacity, more than enough any resolution image prints. The fiber optic system also has an anti-interference ability, which can make sure the stability during high speed output.



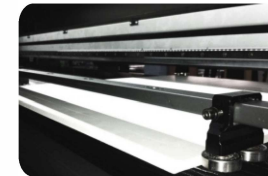
5. Automatic Height Adjustment

No more manually measure the thickness and move carriage up and down, the machine not only detect the media thickness and adjust the carriage height automatically. Also the software support a height compensation during printing uneven surface, make sure the printing quality.



6. Creative belt correction system

Make sure the conveyor belt moving correct, engineer create a special mechanical system, avoid any shifting during printing.



7. Media Registration System for both roll and rigid media.

R180E hybrid print on roll and rigid substrates, The media registration pins at both X&Y direction make the operation much easier, For the roll printing, there is a clap at both side can keep the edge in a safety printing.



8. Anti-crash system

This feature can detect an obstruction on the printing surface then immediately stop the carriage movement.



9. LED UV Curing System

Imported high power LED UV curing system, Dual lamps configured.

